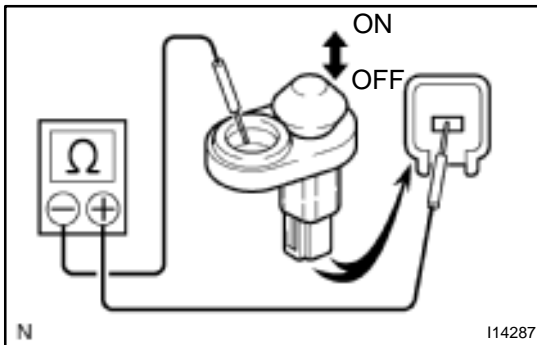


INSPECTION

1. INSPECT PERSONAL LIGHT CONTINUITY

Using an ohmmeter, check that continuity exists between terminals.

If continuity is not as specified, replace the light assembly or bulb.

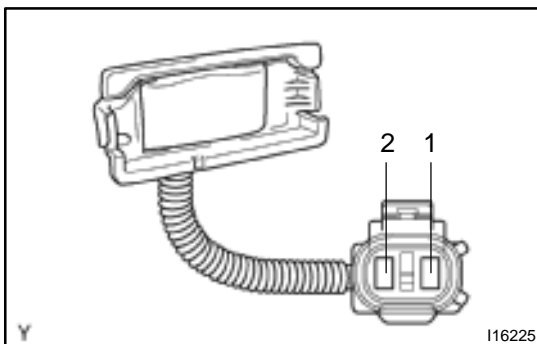


2. INSPECT DOOR COURTESY SWITCH CONTINUITY

(a) Check that continuity exists between terminal and the switch body with the switch ON (Switch pin released: opened door).

(b) Check that no continuity exists between terminal and the switch body with the switch OFF (Switch pin pushed in: closed door).

If operation is not as specified, replace the switch.



3. INSPECT LICENCE PLATE LIGHT CONTINUITY

Using an ohmmeter, check that continuity exists between terminals.

If continuity is not as specified, replace the light assembly or bulb.